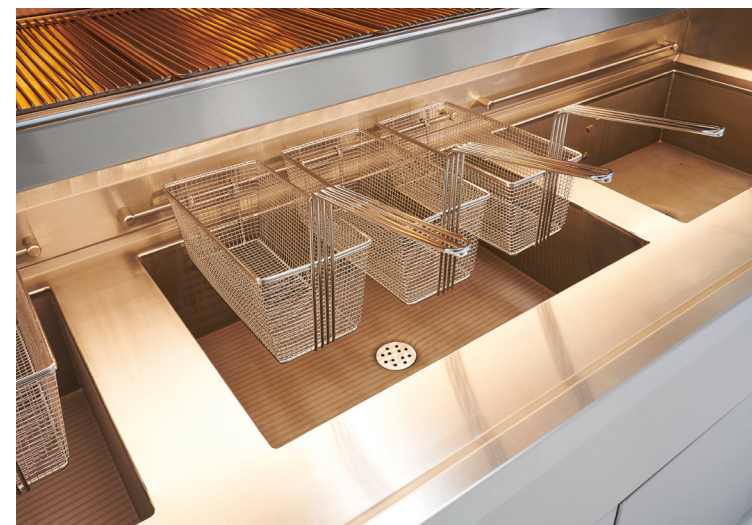




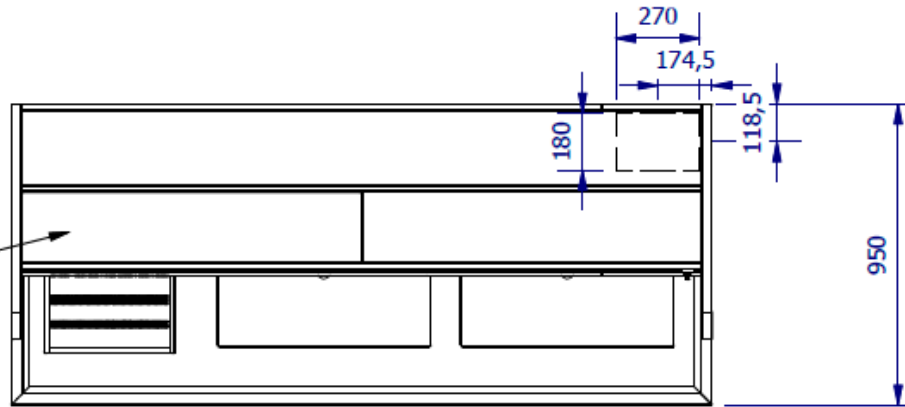
BY FLORIGO
PROPOSAL

2 PAN COUNTER RANGE

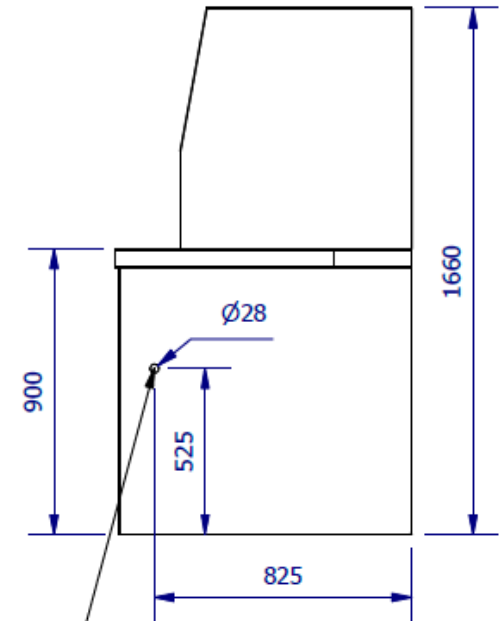
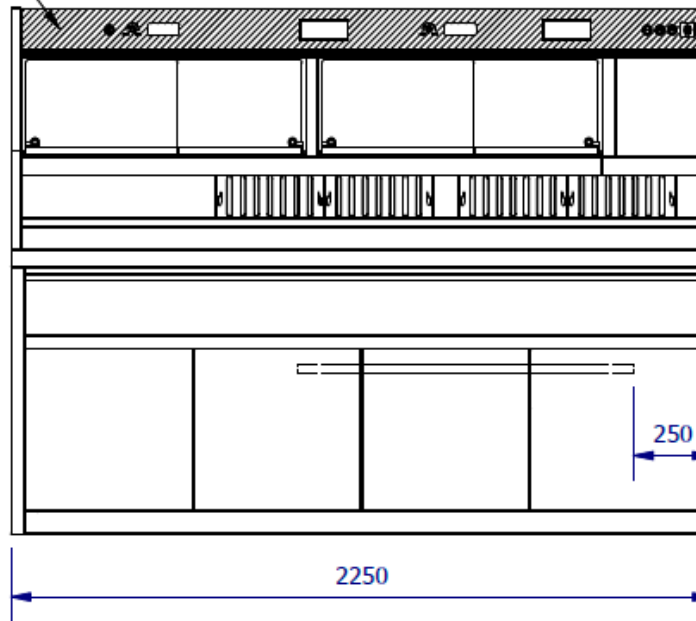
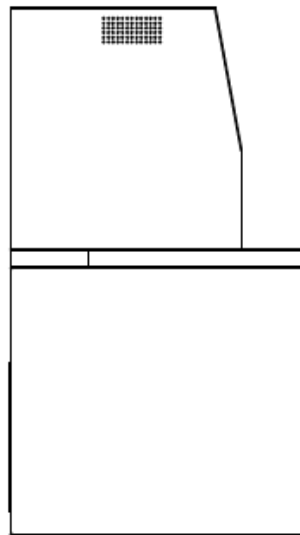
EDGE



All components of the electric-box will be added inside the control-panel



Standard black powdercoating



The gaspipe will be Ø28mm and can be extended to the desired position

Control display frying pan



Not to scale!

Control display Hotbox



Not to scale!

EDGE

Florigo Ltd
4 Centech Park
Fringe Meadow Rd
Redditch B98 9NR

01527 592000
info@florigo.co.uk

Drawing number: Counter	Customer: Counter Range Concept	Location:
Units: mm	Rev.:	Date: 11-6-2020
Sheet Size: A4	Sheet: 2/2	Scale: 1 : 25
Comments: Concept!	Signature approved:	Drawing by: KDE
Technical details possibly subject to changes		Sales rep.:
		Date approved:

RANGE SPECIFICATION

FULLY INSTALLED HIGH EFFICIENCY COUNTER RANGE

1 Chip box heated with a Thermostat Control.

2 High Efficiency Large Pan(s) 690mm x 470mm, furnished with a digital timer control.

Halo Lighting Providing an Unhindered View of your Frying area.

Hot box split into Two, Furnished with Infrared Halogen heat, and Mirror Doors.

The Range is fitted with an integral 2-stage filtration system.

Safety cut out valves and minimum oil level indicators which are fitted to each pan.

A Fan with a fan delay timer and pressure switch.

The front of the range is furnished with a stainless-steel front.

Crumb Filter Per Pan, Crumb Filter Pin, Fish Lifter and Batter Box.

4 Extra Frying Baskets.

One days training on your range after installation by a Florigo trainer.

1850mm of Counter, furnished with a Flap & Gate.

£33,000.00 EX. VAT

OPTIONAL EXTRAS EX. VAT

£500.00 Filtration pack to add a third stage to the filtration process

All prices excl VAT.

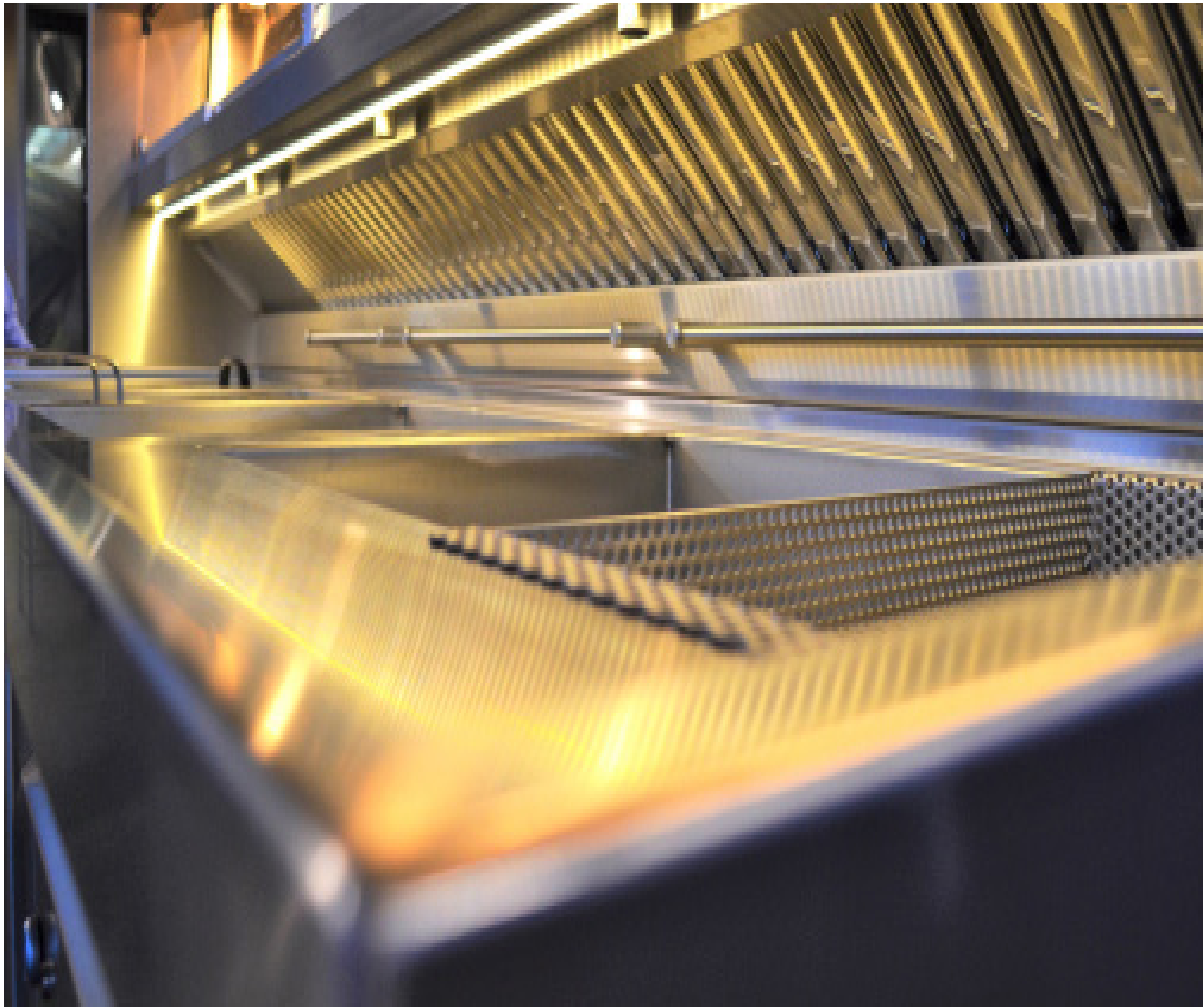
LIGHT UP YOUR PANS WITH HALO LIGHTING

GIVING YOU AN UNHINDERED VIEW OF YOUR FRYING AREA

A phenomenal improvement to your frying range!

Included as standard on all Edge ranges, Halo Lighting will ensure you have a perfect view of what's cooking at all times, as well as lighting up the range and giving it a sleek glow that stands out in your shop.

Watch our short video to see it in action by pointing your mobile phone camera over the scan icon.



WARRANTY OPTIONS

FLORIGO CARE OPTION

- 12 Months Parts & Labour Warranty
- 5-year Manufacturers Pan Warranty

Warranty Excludes: baskets, hotbox doors, halo lighting, filter bags, filter pads and light bulbs.

Please note that this is from date of delivery & subject to a **FLORIGO Care** service contract payable by direct debit and set-up on installation.

FLORIGO Care spreads the cost of your annual service only over 12 months and currently costs £52.50 + vat per month.

FLORIGO TOTAL CARE OPTION

- 5-year Parts Warranty
- 5-year Labour Warranty
- 5-year Manufacturers Pan Warranty

Warranty Excludes: baskets, hotbox doors, halo lighting, filter bags, filter pads and light bulbs.

Please note that this is from date of delivery & subject to a **FLORIGO Total Care** service contract payable by direct debit and set up on installation.

FLORIGO Total Care spreads the cost of your annual service & 3 callouts for manufacturing faults over 12 months and currently costs £134.17 + vat per month.

PAYMENT TERMS

Upon placing your order, we will require a 35% deposit.
65% balance will be required prior to delivery.

QUOTATION VALIDITY

30 days from date received.

PREPARING FOR A SMOOTH INSTALLATION

WHAT DO WE DO FOR YOU?



DELIVERY

Our install coordinator will organise delivery of your range to site at an agreed time and date.



INSTALL

Our install coordinator will organise the installation over 2 consecutive days by highly skilled and qualified gas safe engineers.



GAS & ELECTRIC

All gas and electric connections are made by our engineers to services supplied to within one metre.



FAN

We will identify and supply a suitable fan for your range along with a fan delay timer and pressure switch to keep your extraction optimised.



DUCT WORK

Standard spiral duct work will be supplied and fitted by our experienced engineers.



ELECTRICAL DISTRIBUTION BOX

All of our ranges feature easily accessible electrical distribution boxes, fully labelled with a clear front enabling inspection of circuit breakers without the need for tools.

WHAT DO YOU NEED TO CONSIDER?



BUILDING WORK

We do not provide any general building work to include trenches, window removal, making good, hire of cranes, scaffolding or removal of range from existing site.



ODOUR & NOISE CONTROL

Any special odour or noise requirements specified by planning can be quoted and installed at an additional cost if required,



NON STANDARD DUCTING

Any non standard ducting requirements can be quoted at an additional cost if required.



THANK YOU FOR YOUR TIME

YOUR CONTACTS

Robert Furey

If you would like to discuss our proposal further, please do not hesitate to contact him.

T: 07815 004087

E: robert@florigo.co.uk

Stacy Moreton

Stacy is based at our Head Office and is happy to answer any questions you may have.

T: 01527 592000

E: stacy@florigo.co.uk

